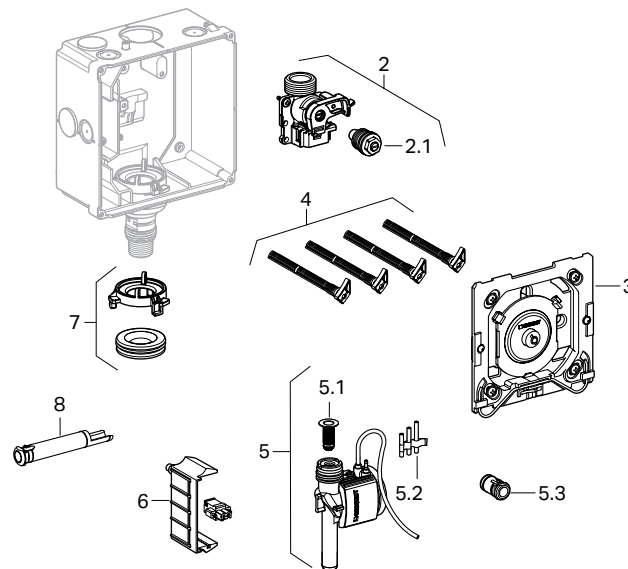
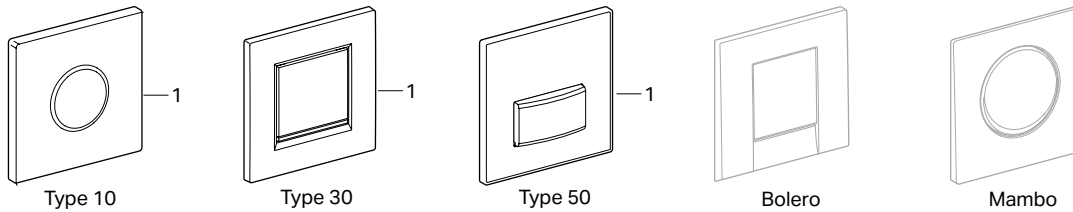



Geberit Type 50, Type 30, Type 10, Bolero and Mambo Urinal Actuators 

116.015 116.017 116.016 116.012 116.013 Actuator Dimensions: 5.12" x 5.12" (13 cm x 13 cm)



Item					Model No.	Description	List Price \$
1				1	241.915.SN.1	Actuator plate Type 10/Mambo, Brushed Stainless Steel	217.00
	1				243.270.KH.1	Actuator plate Type 30, Polished Chrome-Matte Chrome-Polished Chrome	83.00
	1				243.270.KJ.1	Actuator plate Type 30, White-Polished Chrome-White	83.00
		1			242.764.11.1	Actuator plate Type 50, Alpine White	312.00
		1			242.764.GH.1	Actuator plate Type 50, Brushed Chrome	454.00
		1			242.764.JK.1	Remote flush actuation Type 50, Lava Glass	312.00
		1			242.764.JL.1	Remote flush actuation Type 50, Grey Sand Glass	312.00
		1			242.764.00.1	Actuator plate Type 50, Custom	312.00
2	2	2	2	2	241.934.00.1	Stop valve with throttle, complete	88.00
2.1	2.1	2.1	2.1	2.1	241.933.00.1	Regulating screw	30.00
3	3	3	3	3	241.937.00.1	Pneumatic actuator with mounting frame	72.00
4	4	4	4	4	241.931.00.1	Distance bolts, set	5.00
5	5	5	5	5	241.935.00.1	Pneumatic valve	166.00
5.1	5.1	5.1	5.1	5.1	241.932.00.1	Basket filter	5.00
5.2	5.2	5.2	5.2	5.2	241.936.00.1	Nozzle set, White	22.00
5.3	5.3	5.3	5.3	5.3	243.327.00.1	Flushing Volume Control 4 GPM (14 LPM)	15.00
6	6	6	6	6	241.947.00.1	Insulation protection with connection terminal	6.00
7	7	7	7	7	242.156.00.1	Lip seal flushing pipe	5.00
8	8	8	8	8	242.484.00.1	Flow limiter for UR-controls	9.00



Products marked with  comply with the American Disabilities Act (ADA) when installed per the requirements of the latest ADA Accessibility Guidelines (ADAAG) and/or ICC/ANSI A117.1.

The information contained in this document is subject to change without notice.