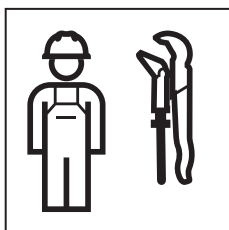


INSTALLATION MANUAL

MONTAGEANLEITUNG
INSTRUCTIONS DE MONTAGE
ISTRUZIONI PER IL MONTAGGIO



968.077.00.0(02)



Product Data

Product specifications

Geberit article number: 109.304.00.5

Flush volume: 1.6 / 0.8 gpf (6.0 / 3.0 lpf)

Geberit article number: 109.307.00.5

Flush volume: 1.28 / 0.8 gpf (4.8 / 3.0 lpf)

Concealed tank for floor-standing WC and actuator plate.

Water supply connection 1/2" copper, minimum water pressure 35 PSI.

For Geberit actuator plates Sigma.

To achieve the specified flush volume, the washdown WC for single or dual flush from a third-party supplier must be ANSI-listed.

Approved for use in the US and Canada (cUPC®)

Properties

- Backflow preventing fill valve.
- Shockproof concealed tank, fully insulated against condensation, made of high-density polyethylene (HDPE).

Warranty

Limited lifetime warranty on tank. 10-year warranty on fill valve and flush valve. One year warranty on actuator plate.

Material Requirements

Recommended material for a supporting structure:

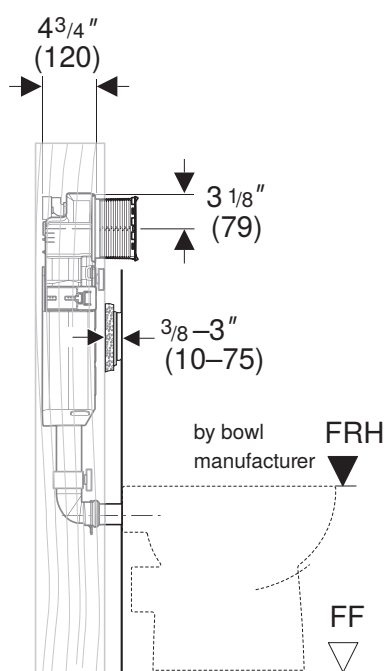
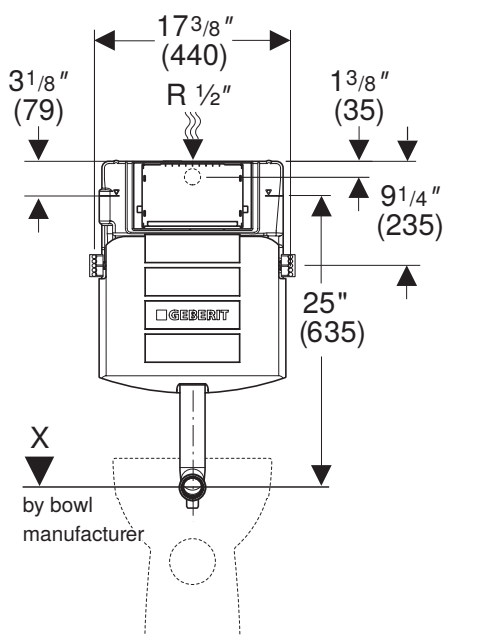
- Gypsum board (green)
- Board made of fiber cement
- Tile-bearing board
- Tiles made of ceramic



Minimum covering thickness 3/8" (10 mm).

Dimensions in Inches

Installation Dimensions



INSTALLATION RULES

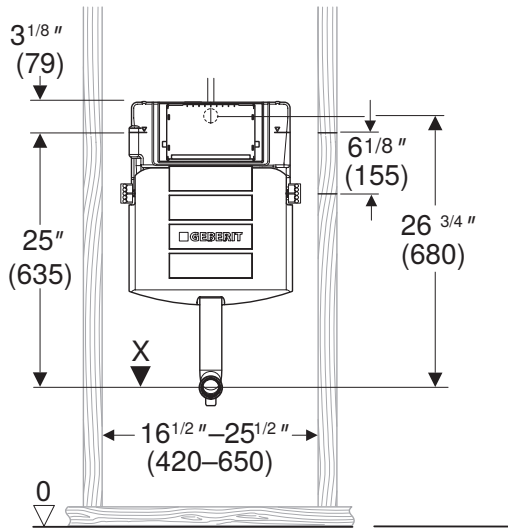
To install the concealed tank, a 2 x 6" wood construction is required. The studs must be placed 16 1/2 – 25 1/2 (clearance) apart.

FINISHED RIM HEIGHT (FRH)

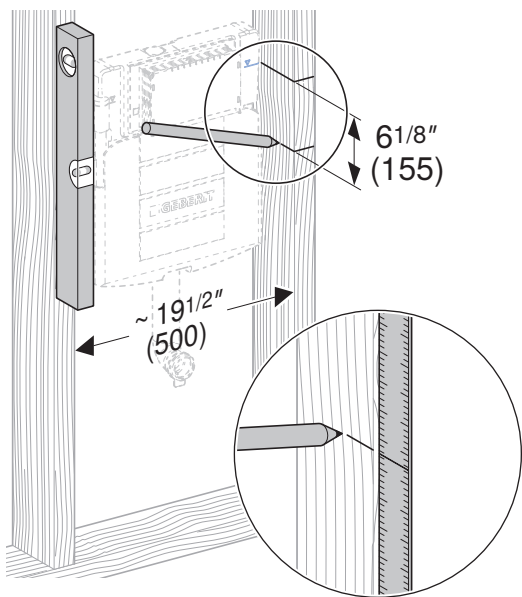
Determine FRH for the floor-standing WC and adjust the height of the concealed tank in accordance with the dimensions of the WC ceramic. The height of the floor construction must also be observed.



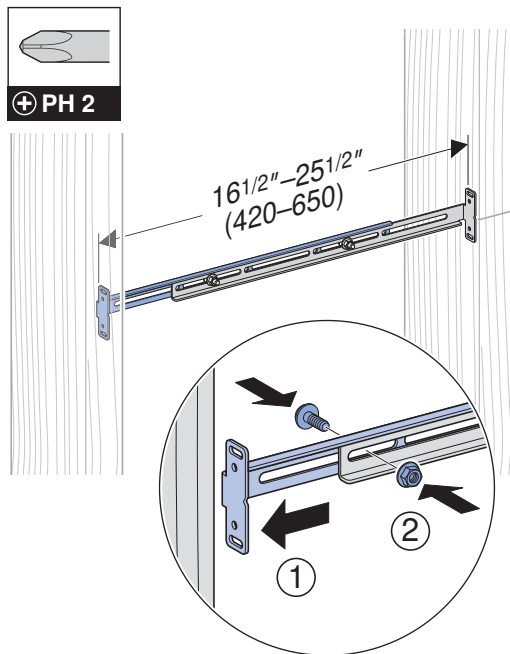
✓



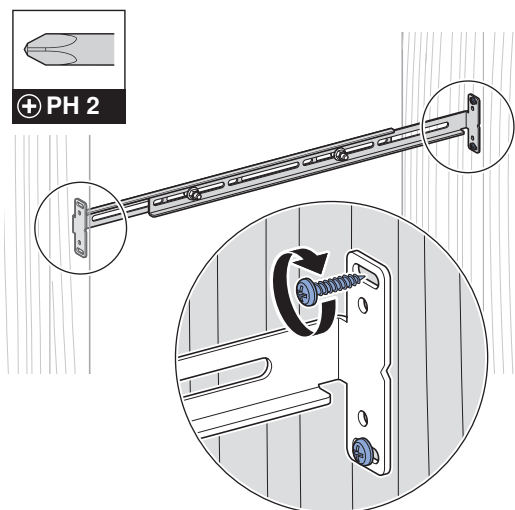
1



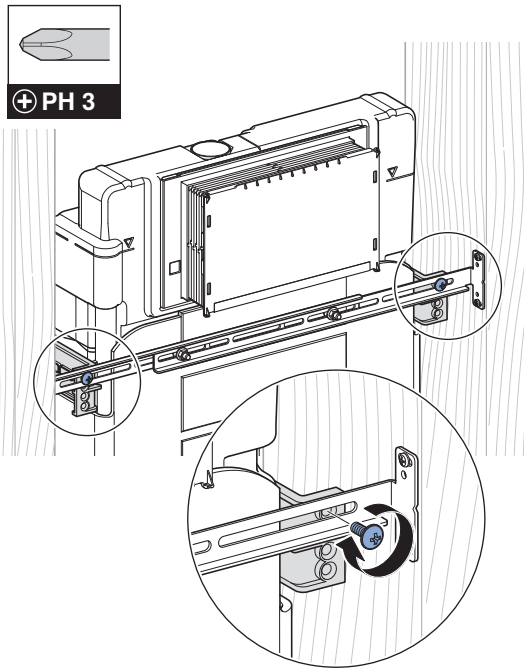
2



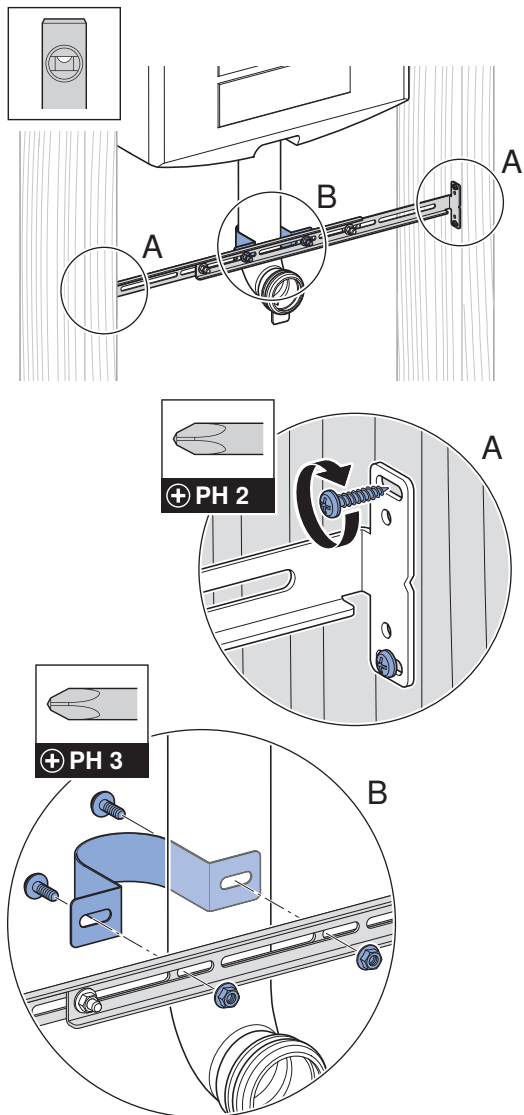
3



4

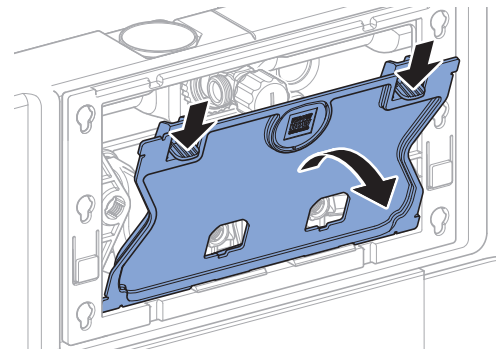


5

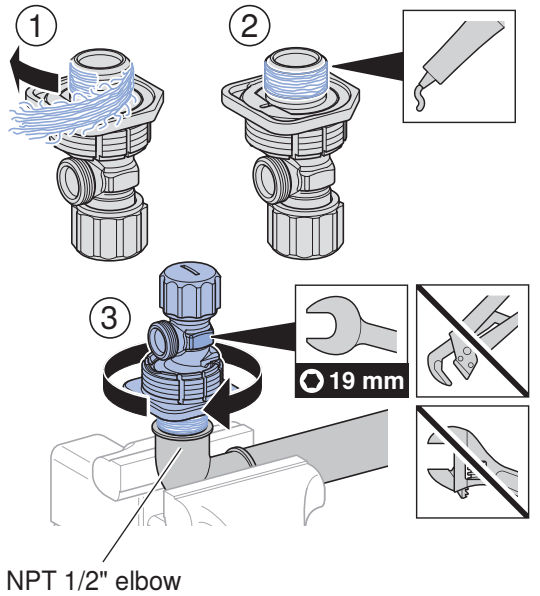


2

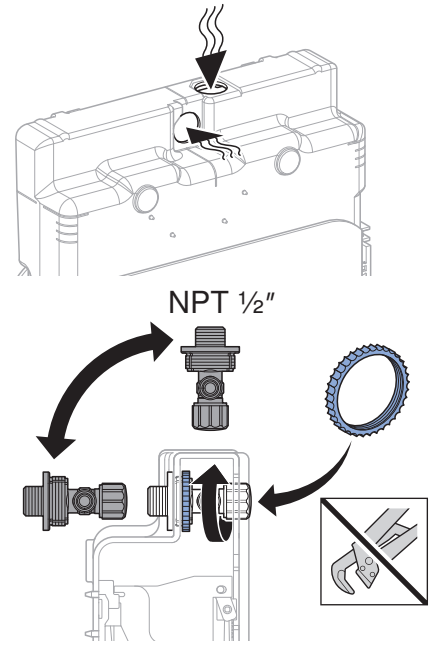
1



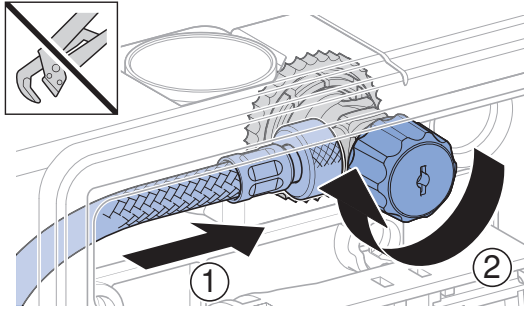
2



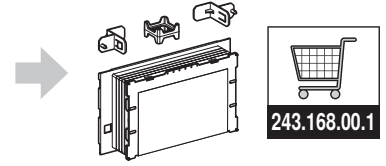
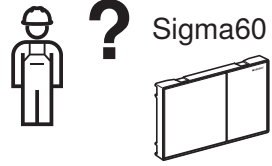
3



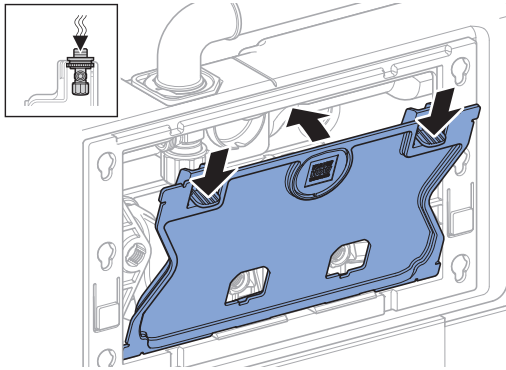
4



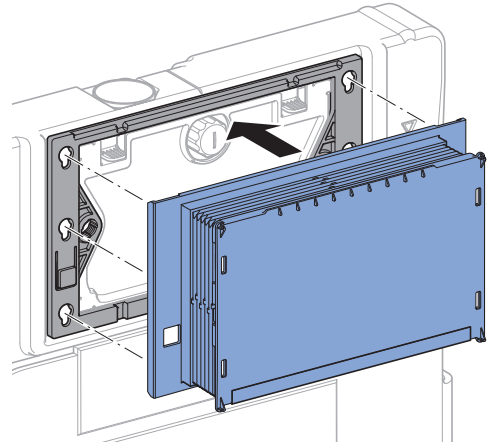
i



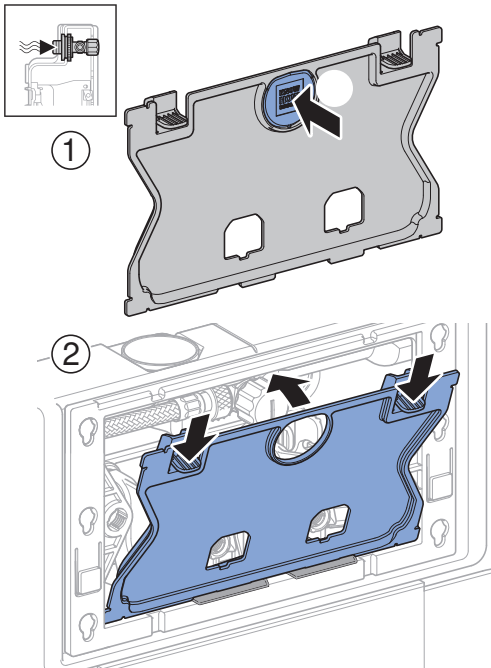
5



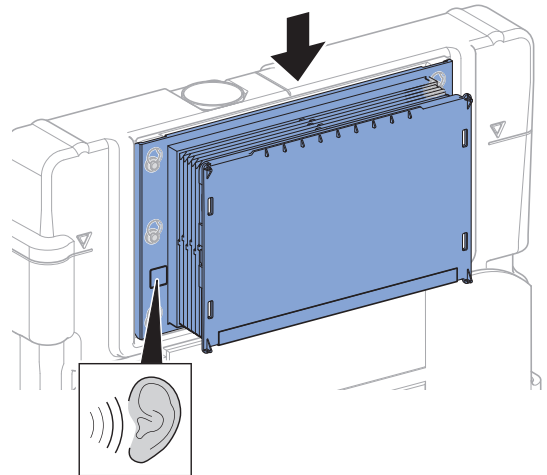
6



i

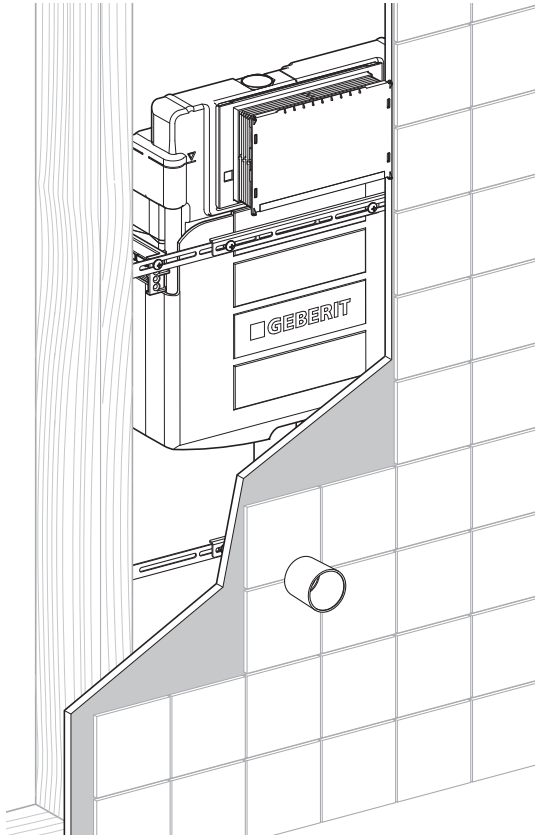


7

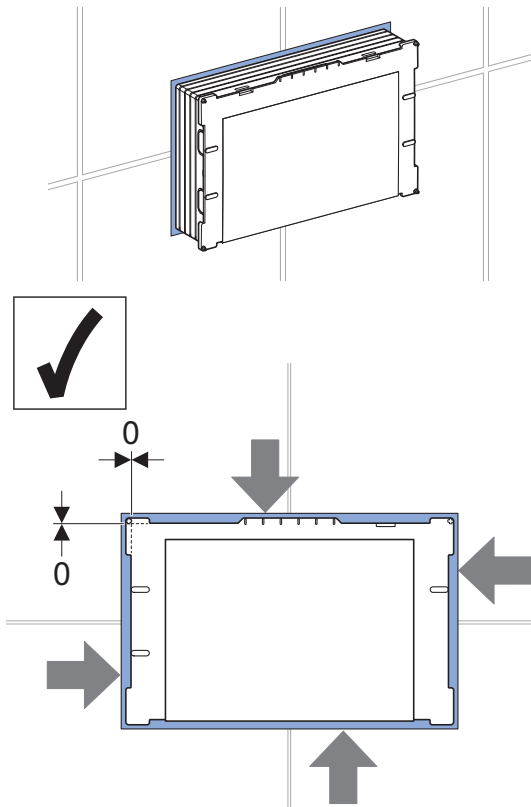


3

1



2



Geberit
2100 South Clearwater Drive
Des Plaines, IL 60018 US
Phone: 847/803-5000
Fax: 847/803-5454 Technical:
800/832-8783
www.geberit.us

