

GEBERIT INSTALLATION SYSTEM

For 1.6/0.8 GPF (6/3 LPF) and 1.28/0.8 GPF (4.8/3 LPF) Wall-Hung Toilets, Pre-Wall Installations

PRODUCT SPECIFICATIONS

In-Wall Duofix carrier system and concealed tank with actuator flush panel or pneumatic push button for washdown wall-hung toilets. System shall fit within minimum 5-1/2" (140 mm) framing wall or plumbing chase, with wood construction or steel framing members placed 19-3/4" (500 mm) apart. Framing members should be capable of supporting a 880 pound (400 kg) load without damage to the wall. Water supply shall have flow diameter no smaller than 1/2" (13 mm) copper tube, and a minimum flow pressure of 2 PSI (0.01 MPa). The toilet bowl shall be a third party listed, 2-hole wall-hung 1.6 GPF (6 LPF) or 1.28 GPF (4.8 LPF) single-flush, 1.6/0.8 GPF (6/3 LPF) or 1.28/0.8 GPF (4.8/3 LPF) dual-flush. The carrier frame shall be adjustable for bowl rim heights from 15" to 19" (381 to 483 mm). Actuator flush panels shall be diecast zinc, molded plastic, glass or fabricated stainless steel and plated to preserve material integrity. All components shall be compliant with applicable codes and product standards.

FEATURES

- Water consumption – Dual-flush system, 1.6/0.8 GPF (6/3 LPF) or 1.28/0.8 GPF (4.8/3 LPF) Type212
- Anti-siphon fill valve Type380
- Impact resistant high density polyethylene (HDPE) tank, insulated to prevent condensation
- 16-gauge, powder-coated, structural-steel tubing rated to 880 lbs. (400 kg) without damage to finished wall or carrierunit
- Bowl rim height adjustments from 15" to 19" (381 to 483 mm)
- 32¼" (820 mm) frame height
- For finished walls up to 3-1/2" (9 cm) thick
- Small inspection opening for Omega flush actuator plates
- Includes installation and rough-in materials

Not intended for installation within outside walls or for use with water supply temperatures less than 32°F (0°C) or greater than 65°F (18°C).

Complies with the latest editions of:

- ASME: A112.6.2, A112.19.5, A112.19.14
- ANSI Z124.4
- CSA B125.3
- ANSI/ASSE 1002
- IAPMO PS-50
- UNAR / UNAR-HET
- ASME A112.19.2
- This concealed tank is WaterSense® listed or compliant when used in combination with the toilet bowl models listed on page 3 of this sheet
- State of Massachusetts listed

WARRANTY

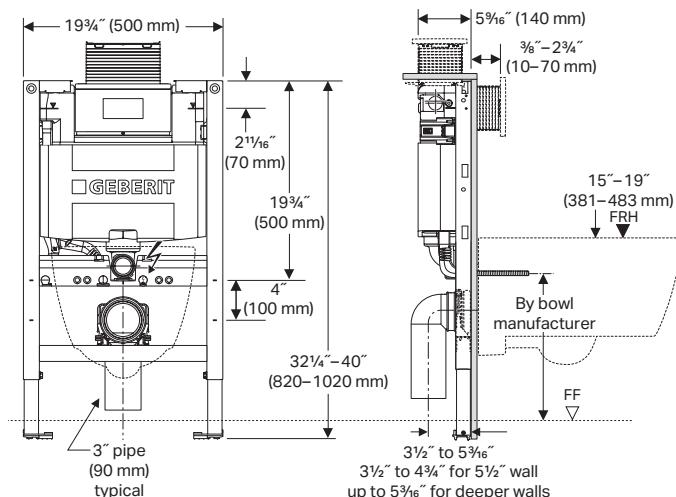
- Limited lifetime warranty on tank and carrier, 10-year warranty on fill valve and flush valve. One-year warranty on actuator flush plates

Products marked with comply with the American Disabilities Act (ADA) when installed per the requirements of the latest ADA Accessibility Guidelines (ADAAG) and/or ICC/ANSI A117.1.

Where water closet grab bars are required and corresponding reinforcement provided as outlined in the latest NYC Building Code and Federal FHA Guidelines, the installed product complies both for grab bars installed at the time of initial construction as well as for grab bars planned for future installation.

Model No.	Description	
111.012.00.1	Carrier frame with 1.60/0.8 GPF Omega Concealed Tank	
111.018.00.1	Carrier frame with 1.28/0.8 GPF Omega Concealed Tank	
111.012.00.2*	Carrier frame with 1.60/0.8 GPF Omega Concealed Tank	
111.018.00.2*	Carrier frame with 1.28/0.8 GPF Omega Concealed Tank	

* Available March 2025



ARCHITECT/ENGINEER APPROVAL

Job Name: _____

Date: _____ Quantity: _____

Model Specified: _____

Variations Specified: _____

Customer/Wholesaler: _____

Contractor: _____

Architect: _____

GEBERIT INSTALLATION SYSTEM

For 1.6/0.8 GPF (6/3 LPF) and 1.28/0.8 GPF (4.8/3 LPF) Wall-Hung Toilets, Pre-Wall Installations

COMPATIBLE 1.28/0.8 GPF (4.8/3 LPF) WALL-HUNG TOILET BOWL MODELS



Brand Name	Model Number*	Model Name	Watersense
Axent	E310	AxentOnePlus	•
	W718	Italica	•
Bocchi	1632-xxx-yyyy	Milano	•
	1304-xxx-yyyy	Firenze	•
	1416-xxx-yyyy	Vettore	•
Catalano	VSF54R	Sfera 54	•
	VS55NR	Zero Newflush	•
Duravit	257709	D-Neo	•
	251009	ME by Starck	•
	252909***	ME by Starck	•
	252959	ME by Starck	•
	253009	ME by Starck	•
	257909	ME by Starck	•
	255609	Gatego	•
	257609	White Tulip	•
Laufen	8.2033.9	Kartell	•
	8.2085.8	The New Classic	•
	8.2028.8	Val	•
TOTO	CT426CFG#01	AP	•
	CT426CFG40#01	AP	•
	CT428CFG#01**	EP	•
	CT428CFG40#01**	EP	•
	CT447CFG#01	RP	•
	CT427CFG#01	RP Compact	•
	CT447CFG60#01	RP	•
	CT449CFG#01	SP	•
	CT449CFG60#01	SP	•
	CT996CEFX#01	Neorest AC	•
	CT994CEFG#01	Neorest EW	•

- * Consult toilet manufacturers for up-to-date model numbers and availability.
- ** Meets 600 grams MaP performance score.
- *** Meets 800 grams MaP performance score.
- **** 1.6/0.8 GPF Systems manufactured after July 1, 2025 will no longer be Watersense compliant.

COMPATIBLE 1.6/0.8 GPF (6/3 LPF) WALL-HUNG TOILET BOWL MODELS****



Brand Name	Model Number*	Model Name	Watersense
Blu Bathworks	LW6008	Coco	•
	LW6030A	Coco	•
	LW6020A	Metrix	•
Crosswater	US-PRO1050	MPRO	•
	US-RS200	RESSA X2	•
Devon & Devon	IBWWCSBLU	Blues	•
	IBWWCSNET	Etoile	•
	IBWWCSSET	New Etoile	•
	IBWWCSRO	Rose	•
Duravit	253509***	D-Code	•
	254409**	Darling New	•
	254459**	Darling New	•
	254509	Darling New	•
	253709**	DuraStyle	•
	253759**	DuraStyle	•
	253809	DuraStyle	•
	254209	DuraStyle	•
	255109	DuraStyle	•
	256209**	Duravit No. 1	•
	222209	Happy D.2	•
	255009	Happy D.2	•
	253309	Starck 2	•
	253409	Starck 2	•
222509***	Starck 3	•	
222609	Starck 3	•	
222659	Starck 3	•	
252709***	Starck 3	•	
222709	Starck 3 compact	•	
252509***	Vero Air	•	
DXV	D23050A000	Belshire	•
	D23010S000	Cossu	•
	D23040A000	Modulus	•
Icera	C-5170	Karo	•
	C-5530	Vista	•
Kallista	P70361-00-0	Pleó	•
Kohler	K-6918	Memoirs	•
	K-31539	Veil	•
	K-76395	Veil Intelligent	•
Lacava	5051WC	Giulia	•
	5051WC-MB	Navi	•
	6058.1	Suave	•
Laufen	820978	IlBagnoAlessi One	•
	820950***	Laufen Pro	•
	820968	Laufen Pro	•
Neo-Metro	8951-W-1	Euro-Urban	•
	8957	Metaal	•
	8952	miniLOO	•
Signature Hardware	SH111003B	Arnelle	•
Villeroy & Boch	5628 U1 XX	Memento	•
	4609 UR XX**	Subway	•
	5600 UO XX	Subway	•
	5614 UR XX	Subway	•

Geberit
2100 S. Clearwater Drive
Des Plaines, IL 60018
USA

P 847.803.5000

www.geberit.us